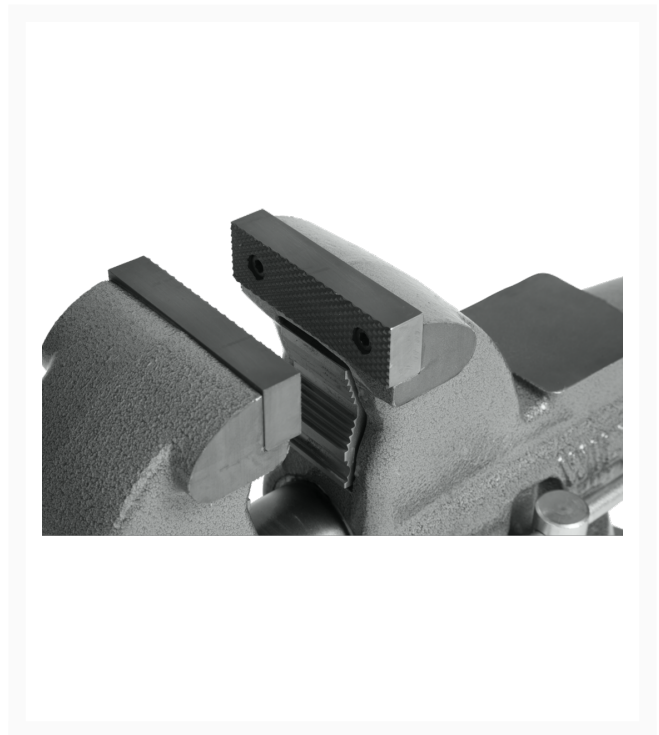




C-0 Pipe and Bench Vise, 3-1/2" Jaw Width, 5" Max Jaw Opening, 4-1/2" Throat Depth

Product Images



Additional Information

Stock Number	28825
Jaw Depth (In.)	5/8
Jaw Height (In.)	1
Jaw Width (In.)	3-1/2
Model Number	C-0
Number of Mounting Points	4
Pipe Jaw #	2908050
Prop 65	Cancer
Serrated Jaw Inserts #	2904960
Throat Depth (In.)	4-1/2
Type of Base	360 Degree Swivel
Warranty	Lifetime
Gross Weight	50.4

