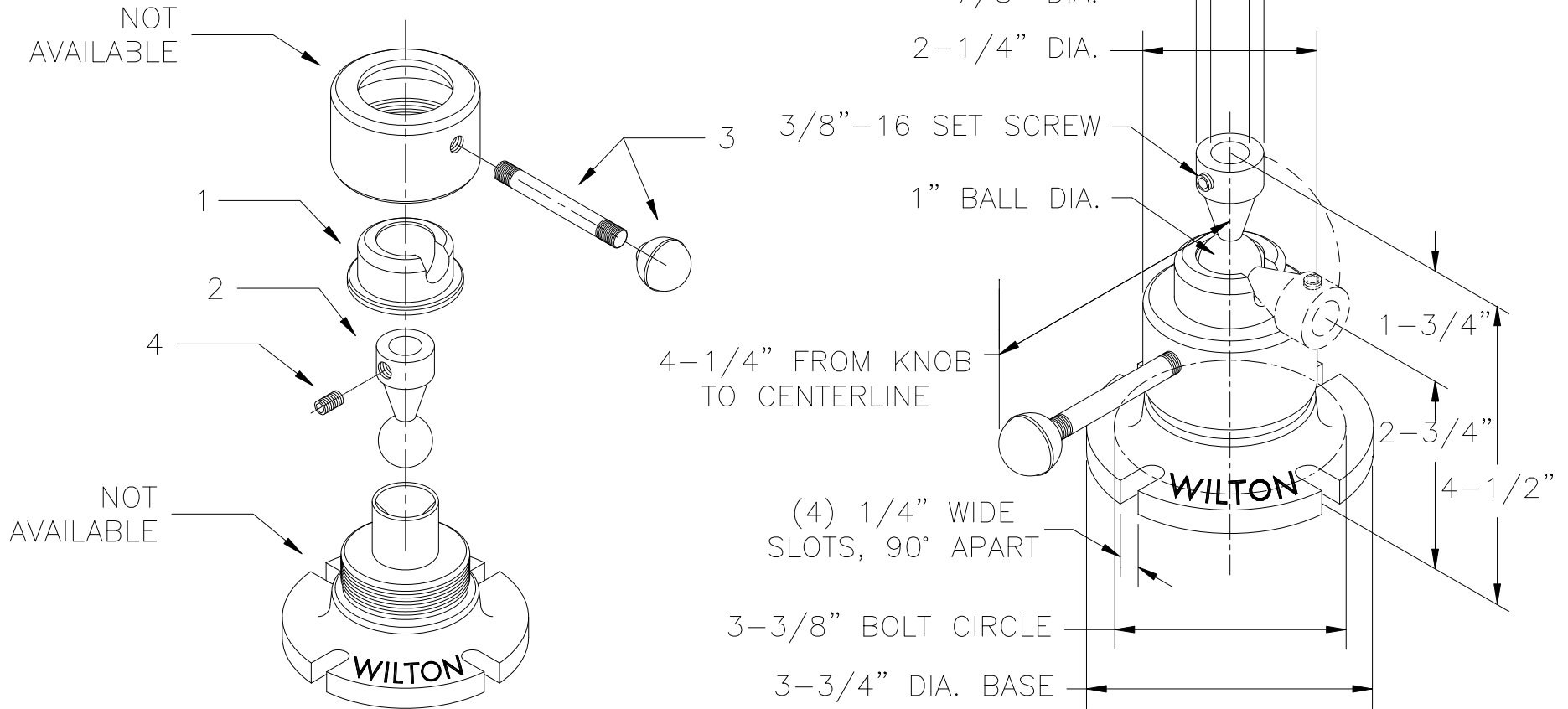


# POW-R-ARM WORK POSITIONERS

## Veep Model 344 Replacement Parts



### WILTON VEEP MODEL 344

1	2010291	CROWN, SWIVEL BALL SEAT
2	2010301	SWIVEL BALL STUD
3	2900470	BALL AND HANDLE ASSEMBLY

STANDARD HARDWARE ITEM—PURCHASE LOCALLY

4	3/8"–16 X 1/4" LONG CUP POINT SET SCREW
---	---