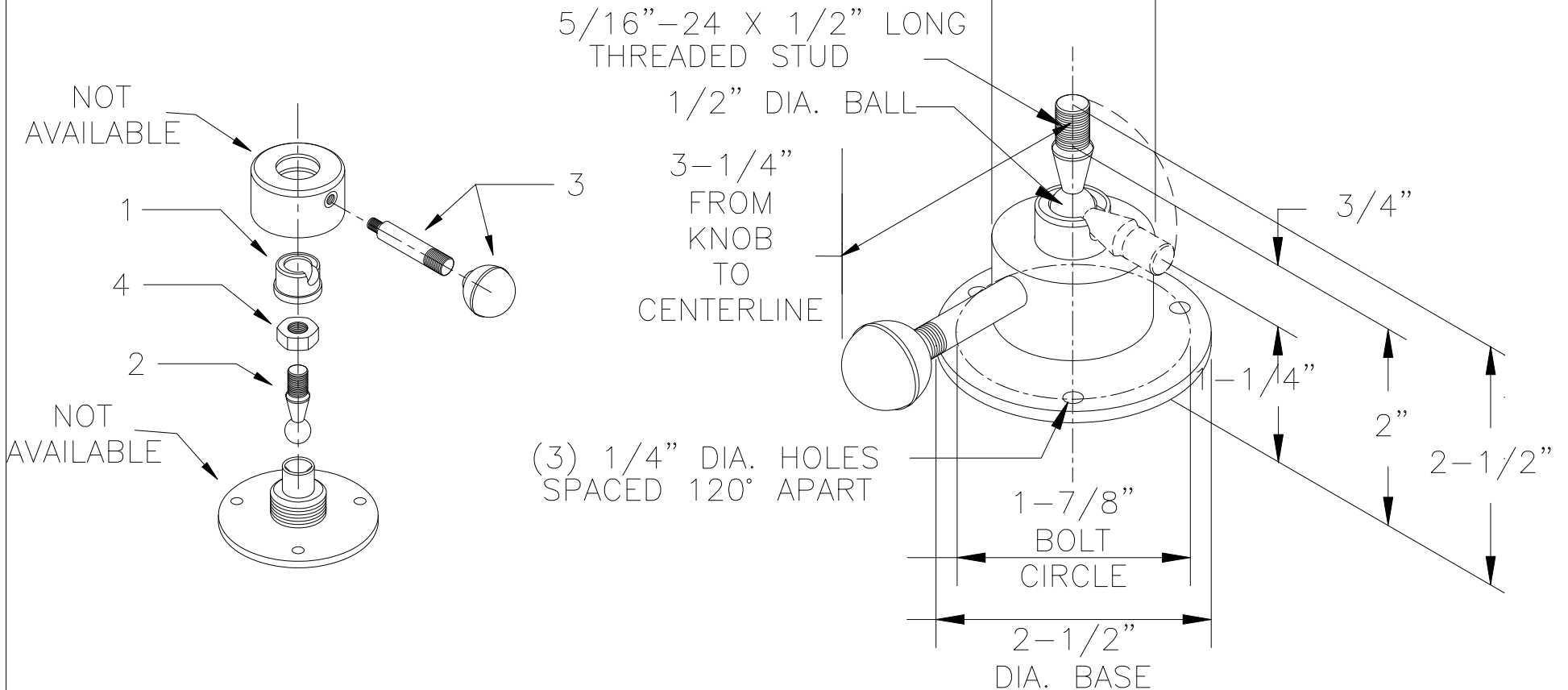


POW-R-ARM WORK POSITIONERS

Midget Model 345

Replacement Parts



WILTON MIDGET MODEL 345

1	2010371	CROWN, SWIVEL BALL SEAT
2	2010391	SWIVEL BALL STUD
3	2900460	BALL AND HANDLE ASSEMBLY

STANDARD HARDWARE ITEM—PURCHASE LOCALLY

4	5/16"–24 N.F. HEX. NUT, CADMIUM PLATED
---	--