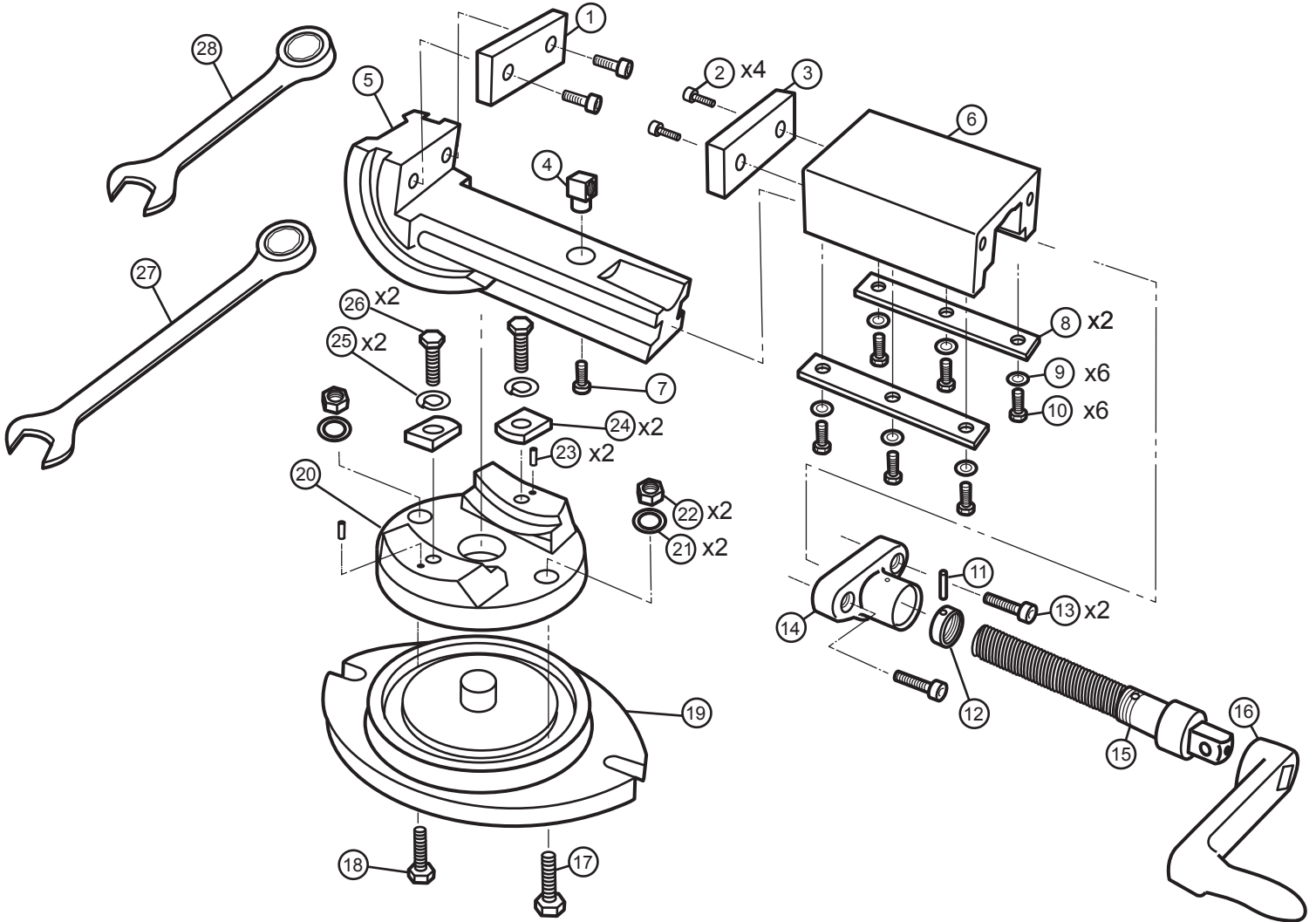




Super Precision 2-Axis Angular Machine Vise Parts Diagram

6" Jaw Width, 6" Jaw Opening, 2" Jaw Depth

Stock #: 11707 Model #: AMV/SP-150



#	Part	Description	Qty
1	11707-01	Fixed Jaw Insert	1
2	11707-02	Socket Head Cap Screw	4
3	11707-03	Movable Jaw Insert	1
4	11707-04	Fixed Nut	1
5	11707-05	Vise Body	1
6	11707-06	Movable Jaw	1
7	11707-07	Screw	1
8	11707-08	Slide Plate	2
9	11707-09	Flat Washer	6
10	11707-10	Hex Cap Screw	6
11	11707-11	Roll Pin	1
12	11707-12	Collar	1
13	11707-13	Socket Head Cap Screw	2
14	11707-14	Sleeve	1

#	Part	Description	Qty
15	11707-15	Clamp Screw	1
16	11707-16	Handle	1
17	11707-17	Hex Cap Screw	1
18	11707-18	Hex Cap Screw	1
19	11707-19	Swivel Base	1
20	11707-20	Turret	1
21	11707-21	Flat Washer	2
22	11707-22	Hex Nut	2
23	11707-23	Pin	2
24	11707-24	Curved Washer	2
25	11707-25	Lock Washer	2
26	11707-26	Hex Cap Screw	2
27	11707-27	Combination Wrench	1
28	11707-28	Combination Wrench	1